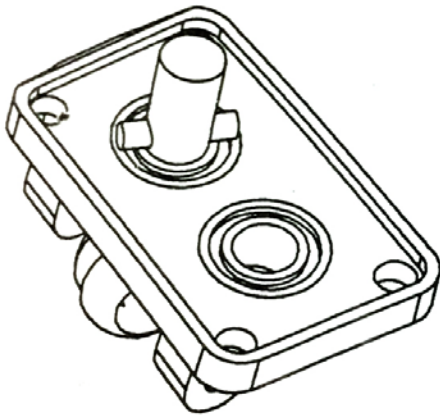


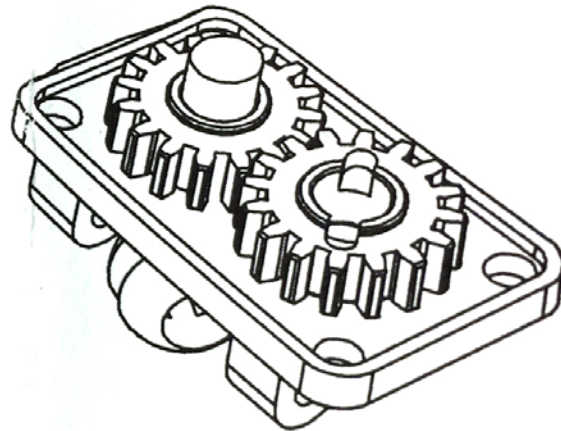
1.

Install two ball bearings into the outer housing. Insert pin into the universal front drive axle, then install the drive axle into the lower part of the housing.



2.

Install first drive gear onto universal drive axle (pin slot down). Place the second drive gear above the second ball bearing.



3.

Install rear of gearbox housing and secure with M3 screws. Next, install drive pin into longer inner axle, then insert longer inner axle into lower drive gear. Finally, attach the entire assembly to the vehicle main front axle housing, making sure the Hi-Lift drive axle is positioned low for added ground clearance.

